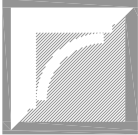


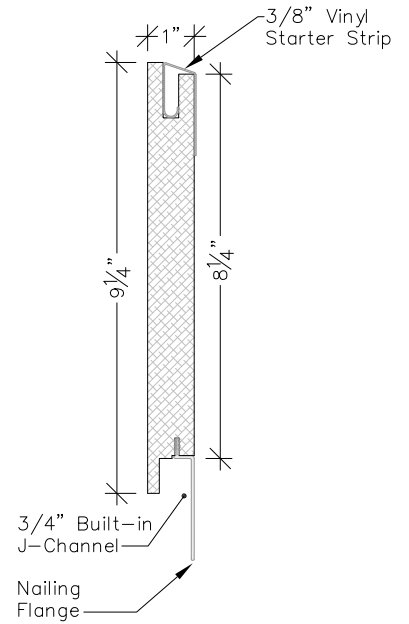
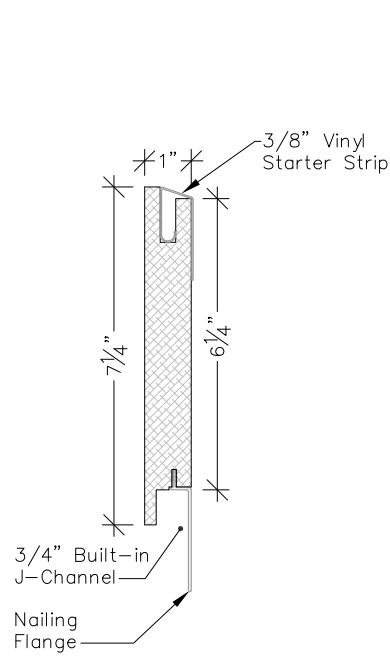
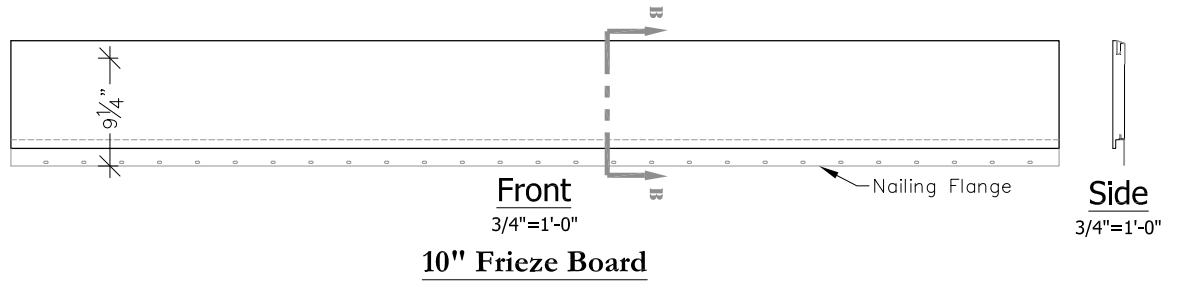
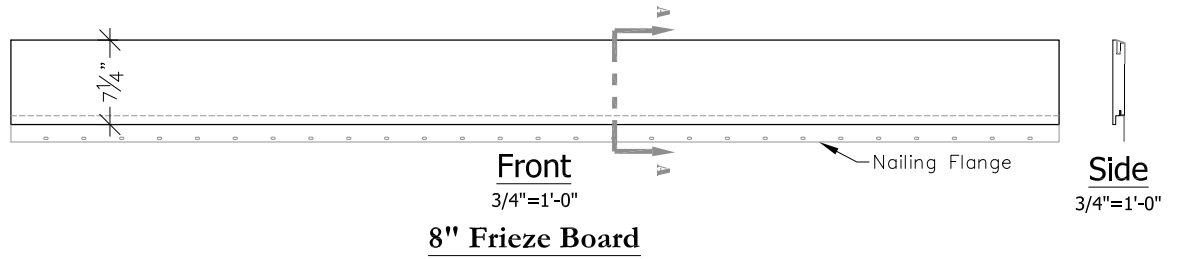
**Complete With:  
 Vinyl Starter Strip  
 Vinyl Nailing Flange**



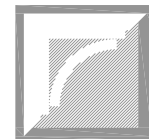
860.758.7900  
 trimsolutions.net

**Trim Solutions, LLC.**  
 132 Main Street, P.O. Box 793  
 East Windsor, CT 06088

**SUB RAKE  
 BOARDS**



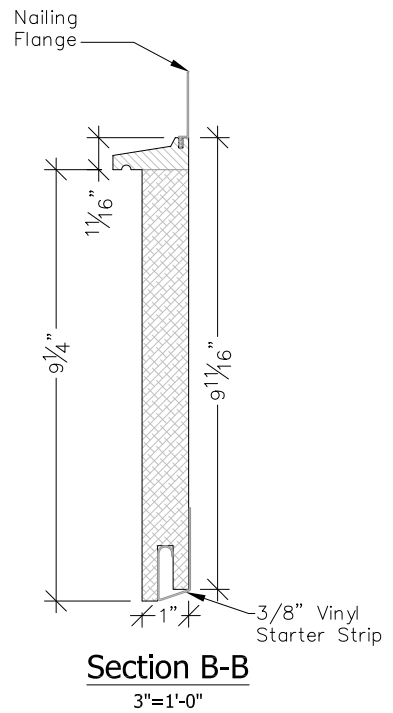
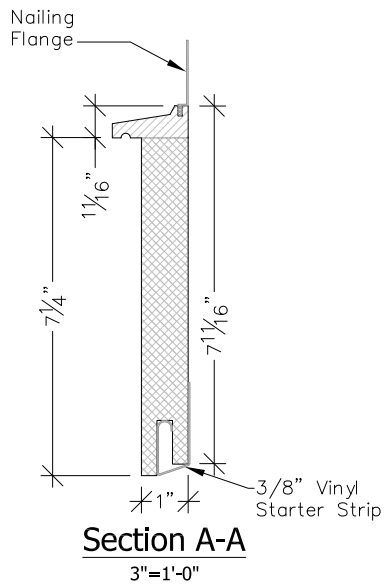
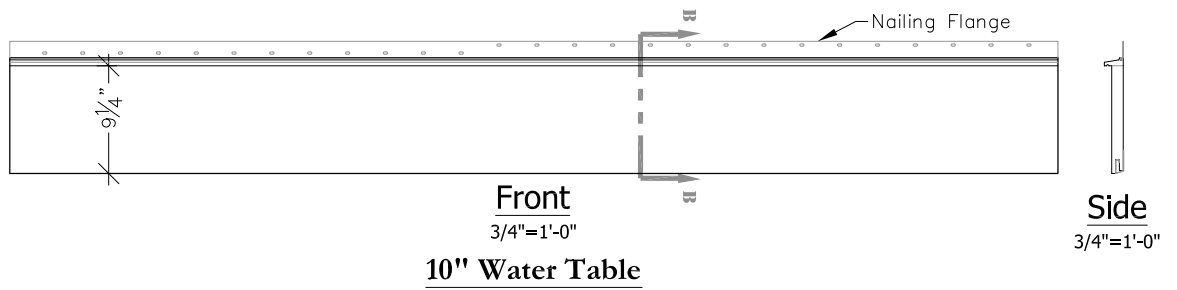
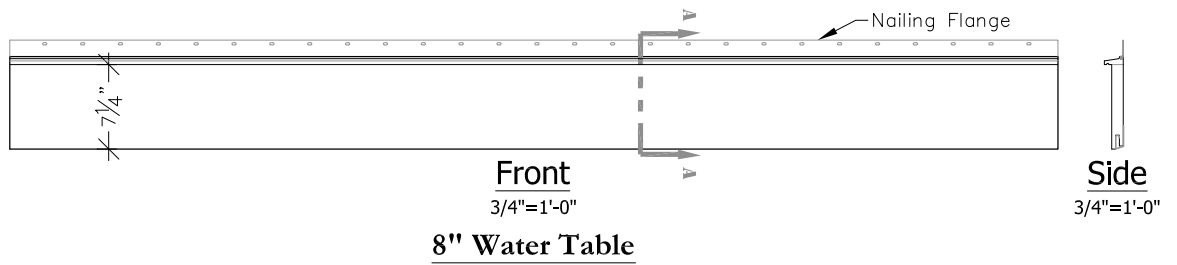
**Complete With:**  
 Vinyl Starter Strip  
 Vinyl Nailing Flange



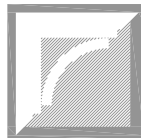
860.758.7900  
 trimsolutions.net

**Trim Solutions, LLC.**  
 132 Main Street, P.O. Box 793  
 East Windsor, CT 06088

**FRIEZE  
 BOARDS**



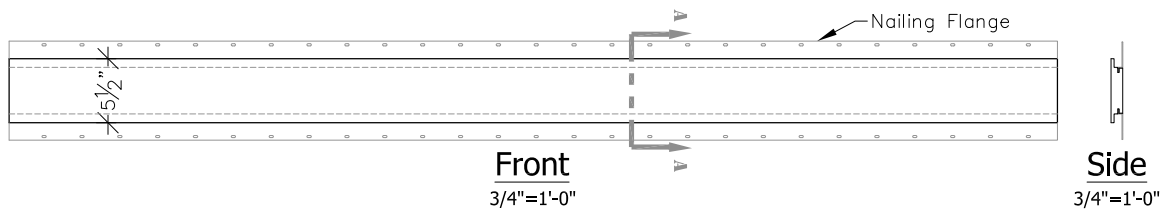
**Complete With:**  
Vinyl Starter Strip  
Vinyl Nailing Flange



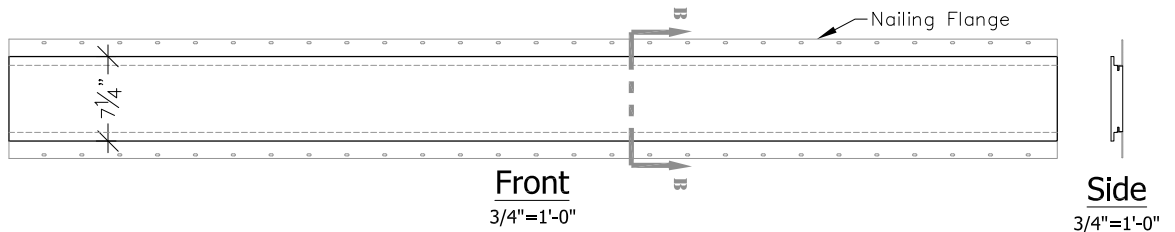
860.758.7900  
trimolutions.net

**Trim Solutions, LLC.**  
132 Main Street, P.O. Box 793  
East Windsor, CT 06088

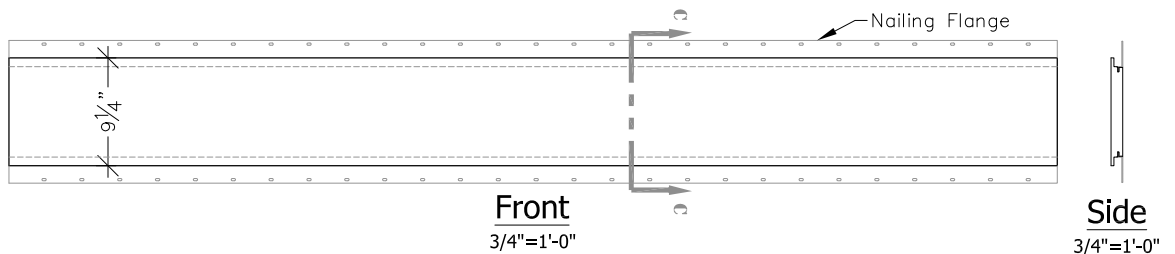
**WATER  
TABLES**



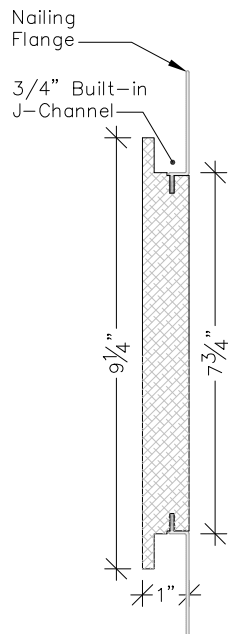
**6" Transition Board**



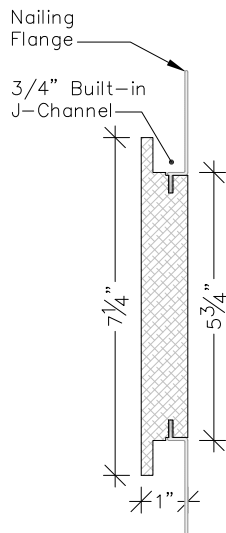
**8" Transition Board**



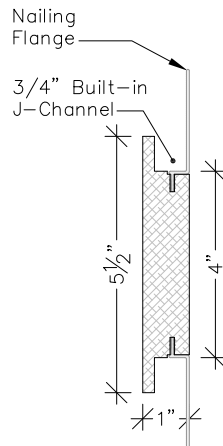
**10" Transition Board**



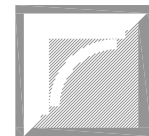
**Section C-C**  
3"=1'-0"



**Section B-B**  
3"=1'-0"



**Section A-A**  
3"=1'-0"



860.758.7900  
trimsolutions.net

**Trim Solutions, LLC.**  
132 Main Street, P.O. Box 793  
East Windsor, CT 06088

**TRANSITION  
BOARDS**