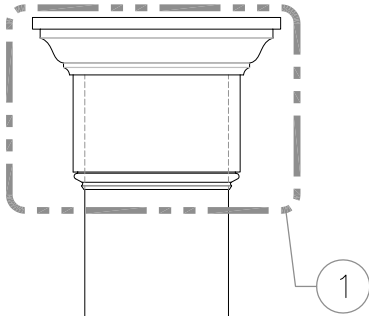
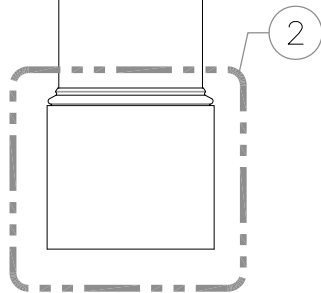


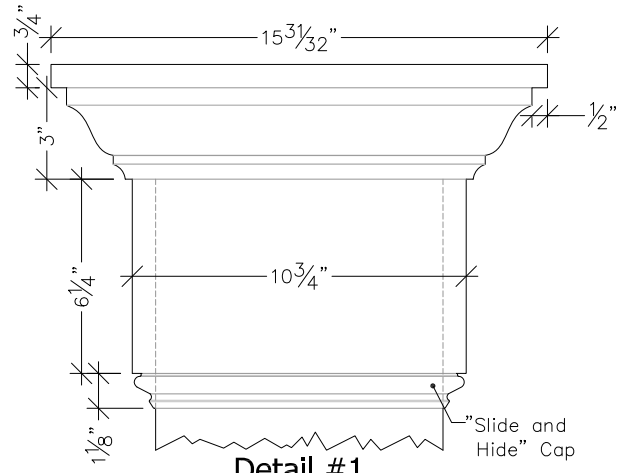
Top
1"=1'-0"



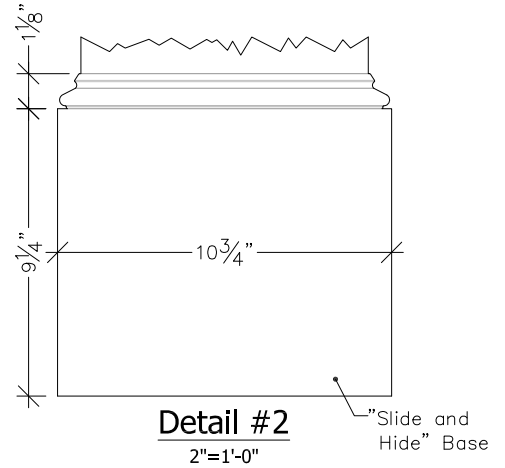
9 1/4"



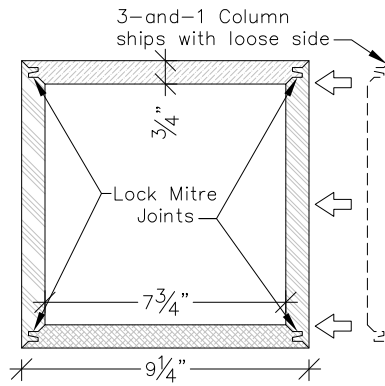
Front
1"=1'-0"



Detail #1
2"=1'-0"

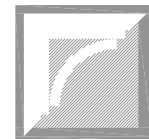


Detail #2
2"=1'-0"



Section A-A
2"=1'-0"

Complete With:
Stainless Steel Anchor Brackets
Stainless Steel Screws
Trim Solutions Glue
Slide-and-Hide Cap and Base



860.758.7900
 trimsolutions.net

Trim Solutions, LLC.
 132 Main Street, P.O. Box 793
 East Windsor, CT 06088

COL-11