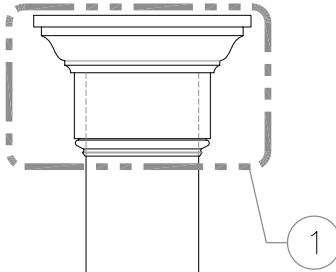
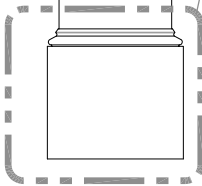


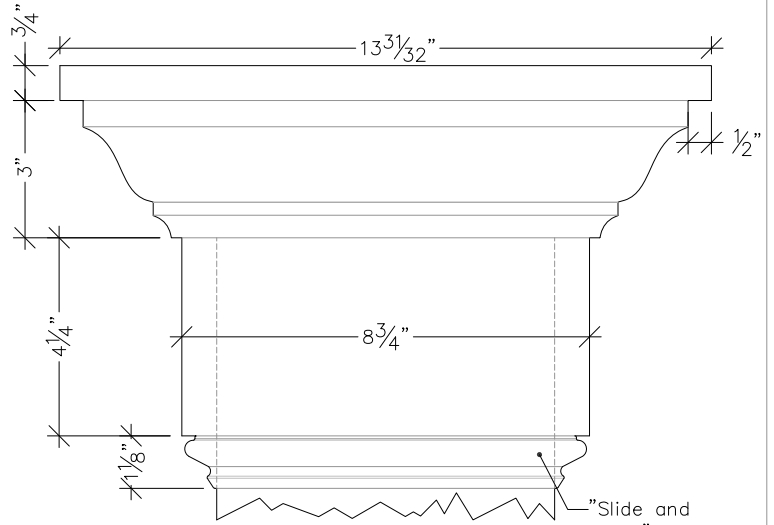
Top
1"=1'-0"



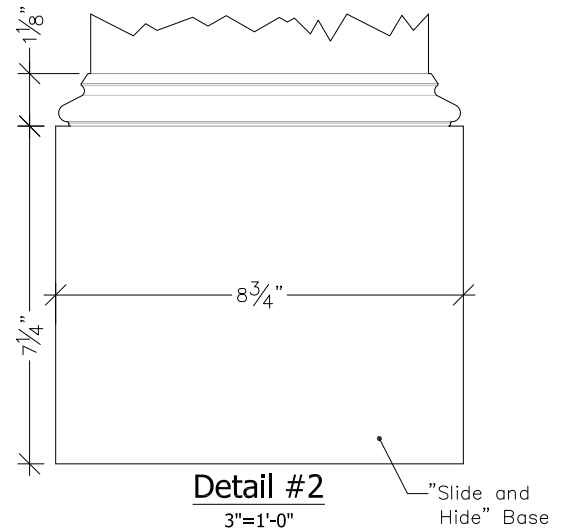
7 1/4"



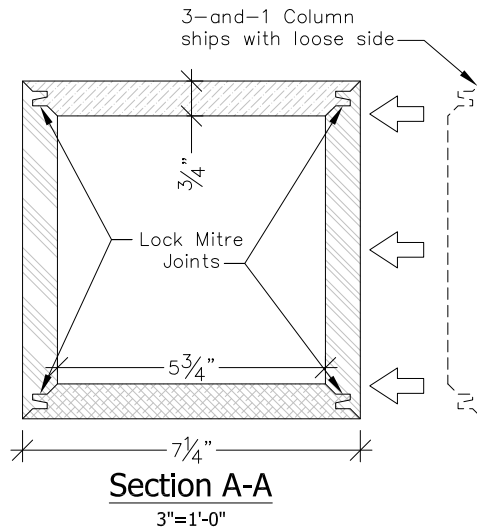
Front
1"=1'-0"



Detail #1
3"=1'-0"

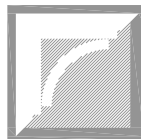


Detail #2
3"=1'-0"



Section A-A
3"=1'-0"

Complete With:
Stainless Steel Anchor Brackets
Stainless Steel Screws
Trim Solutions Glue
Slide-and-Hide Cap and Base



860.758.7900
trimolutions.net
Trim Solutions, LLC.
132 Main Street, P.O. Box 793
East Windsor, CT 06088

COL-9