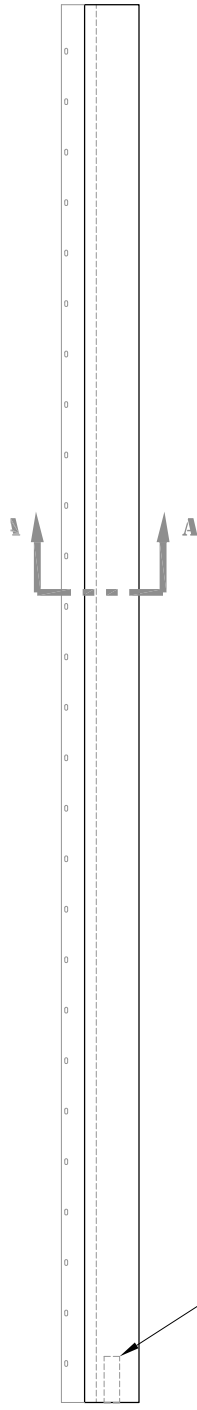
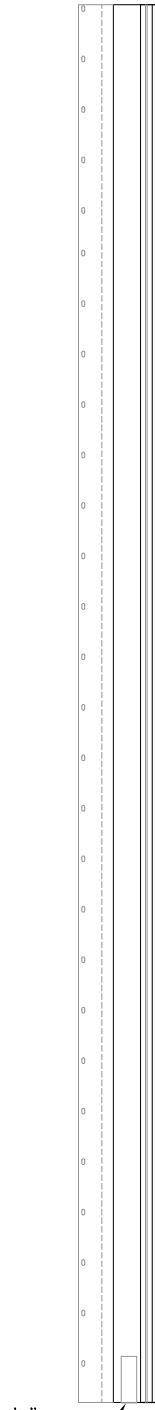


Top
1"=1'-0"

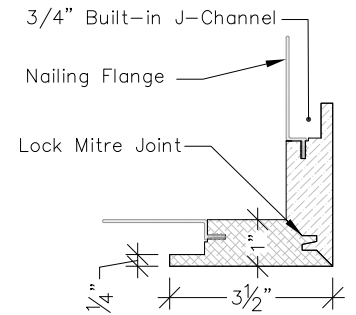
Inside Top
1"=1'-0"



Front
1"=1'-0"



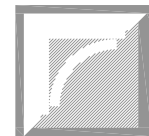
Back
1"=1'-0"



Section A-A
3"=1'-0"

Complete With:
Stainless Steel Support Brackets
Water Management System
Continuous Nailing Flange
Stainless Steel Screws

**Available in
10 foot
and
20 foot Lengths**



860.758.7900
trimolutions.net

Trim Solutions, LLC.
132 Main Street, P.O. Box 793
East Windsor, CT 06088

OSC-0