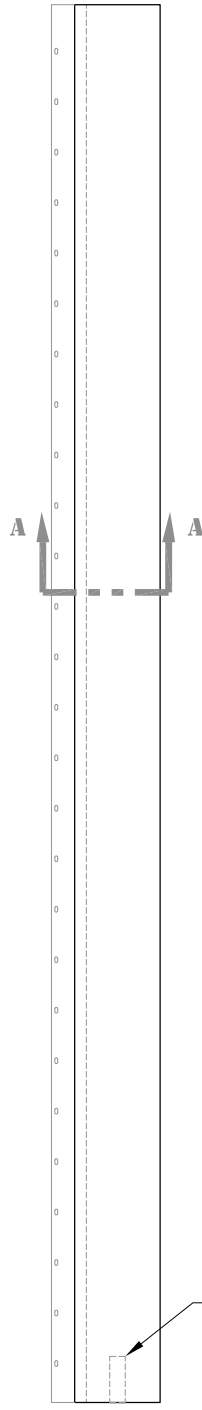
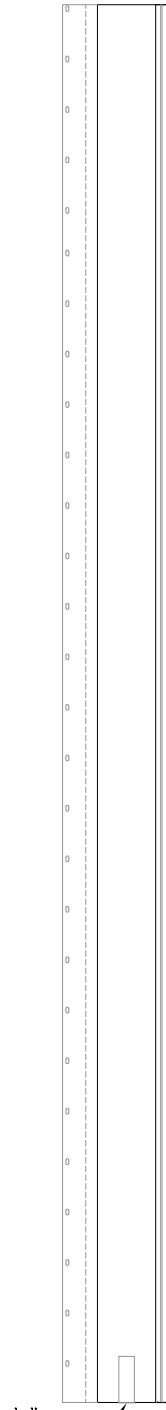


Top
1"=1'-0"

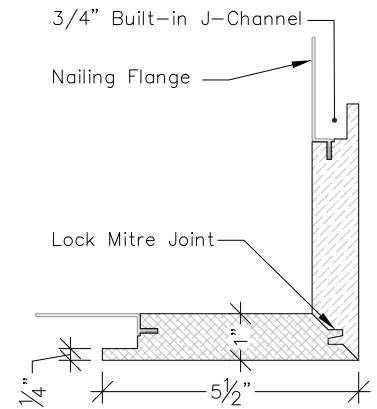
Inside Top
1"=1'-0"



Front
1"=1'-0"



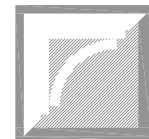
Back
1"=1'-0"



Section A-A
3"=1'-0"

Complete With:
Stainless Steel Support Brackets
Water Management System
Continuous Nailing Flange
Stainless Steel Screws

Available in
10 foot
and
20 foot Lengths



860.758.7900
 trimsolutions.net

Trim Solutions, LLC.
 132 Main Street, P.O. Box 793
 East Windsor, CT 06088

OSC-1