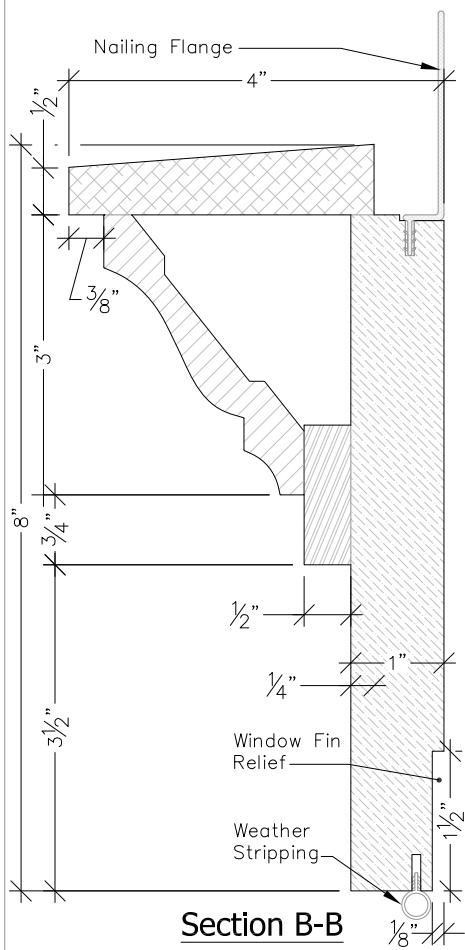
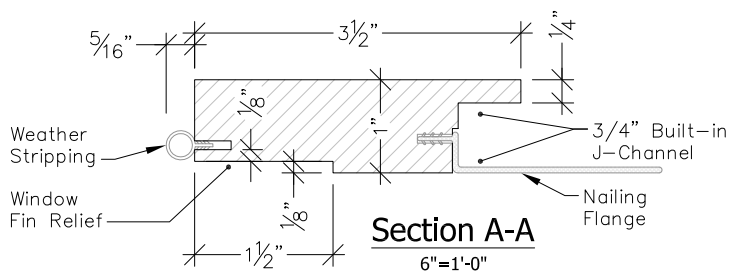


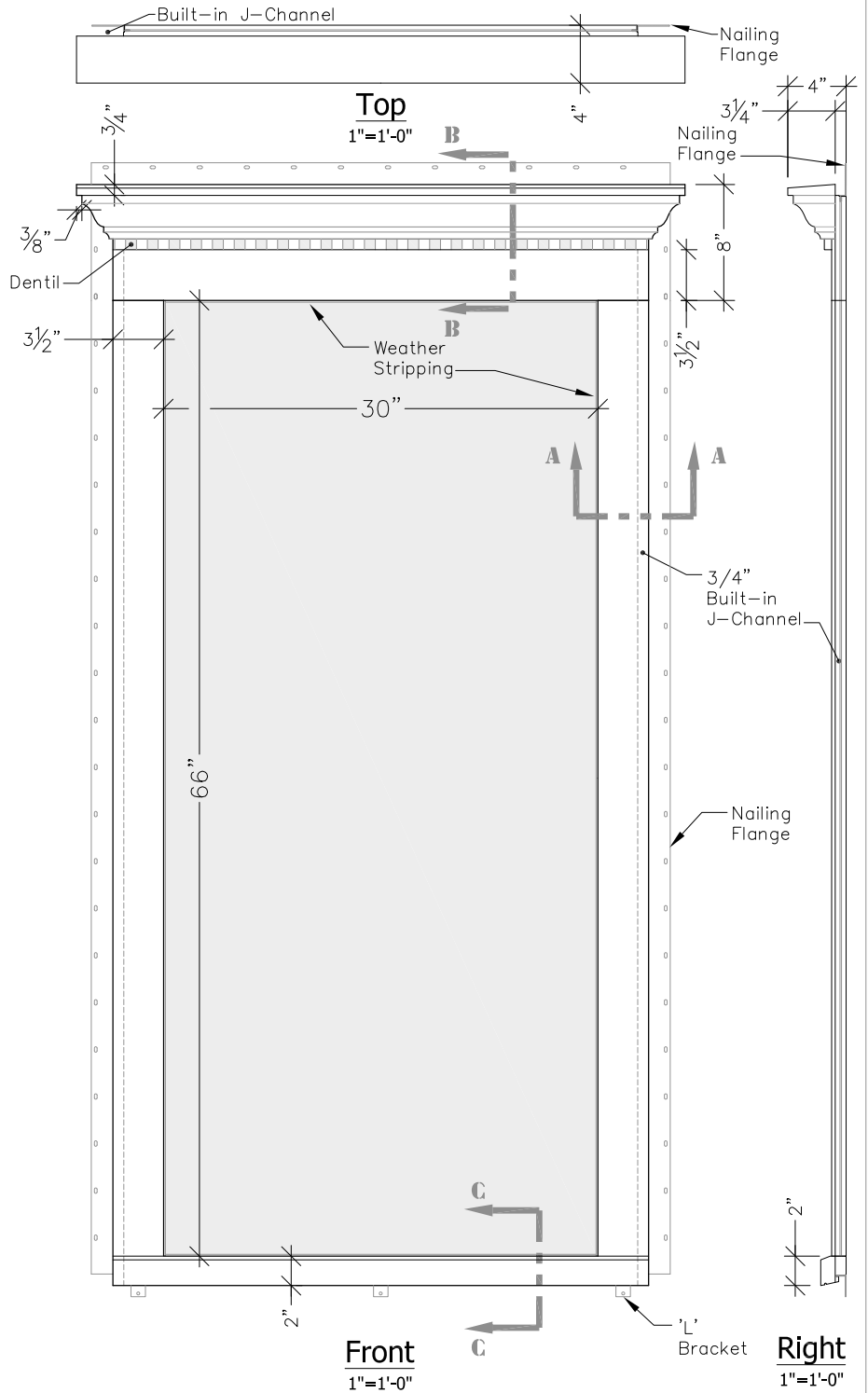
**Section C-C**  
 "Historic Sill"  
 6"=1'-0"



**Section B-B**  
 "4 Inch Crown"  
 6"=1'-0"



**Section A-A**  
 6"=1'-0"



**Front**  
 1"=1'-0"

860.758.7900  
 trimsolutions.net

**Trim Solutions, LLC.**  
 132 Main Street, P.O. Box 793  
 East Windsor, CT 06088

**WS-11**