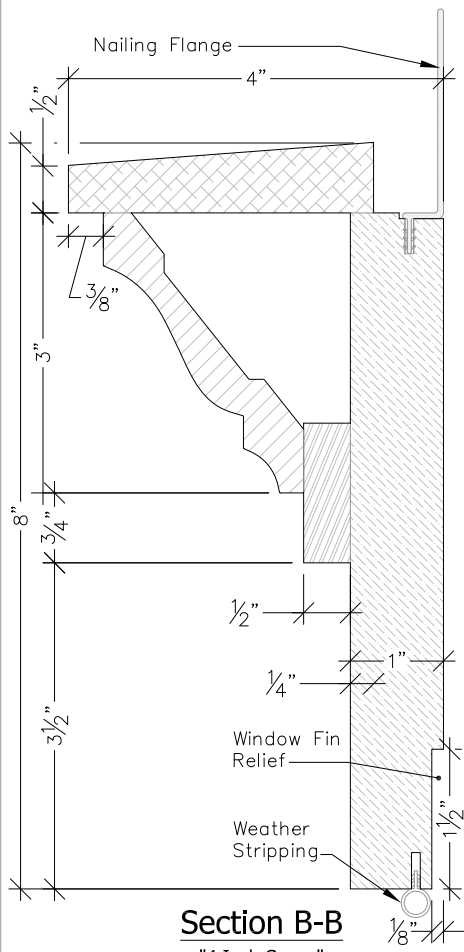
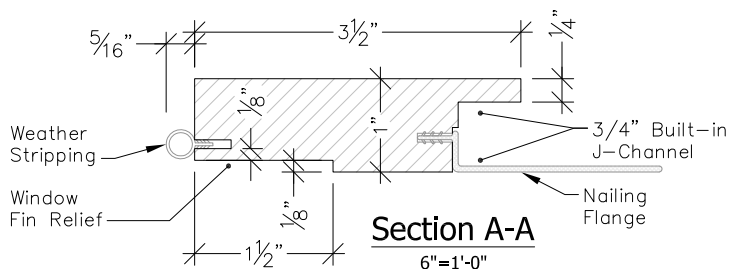


Section C-C
"Historic Sill"
6"=1'-0"



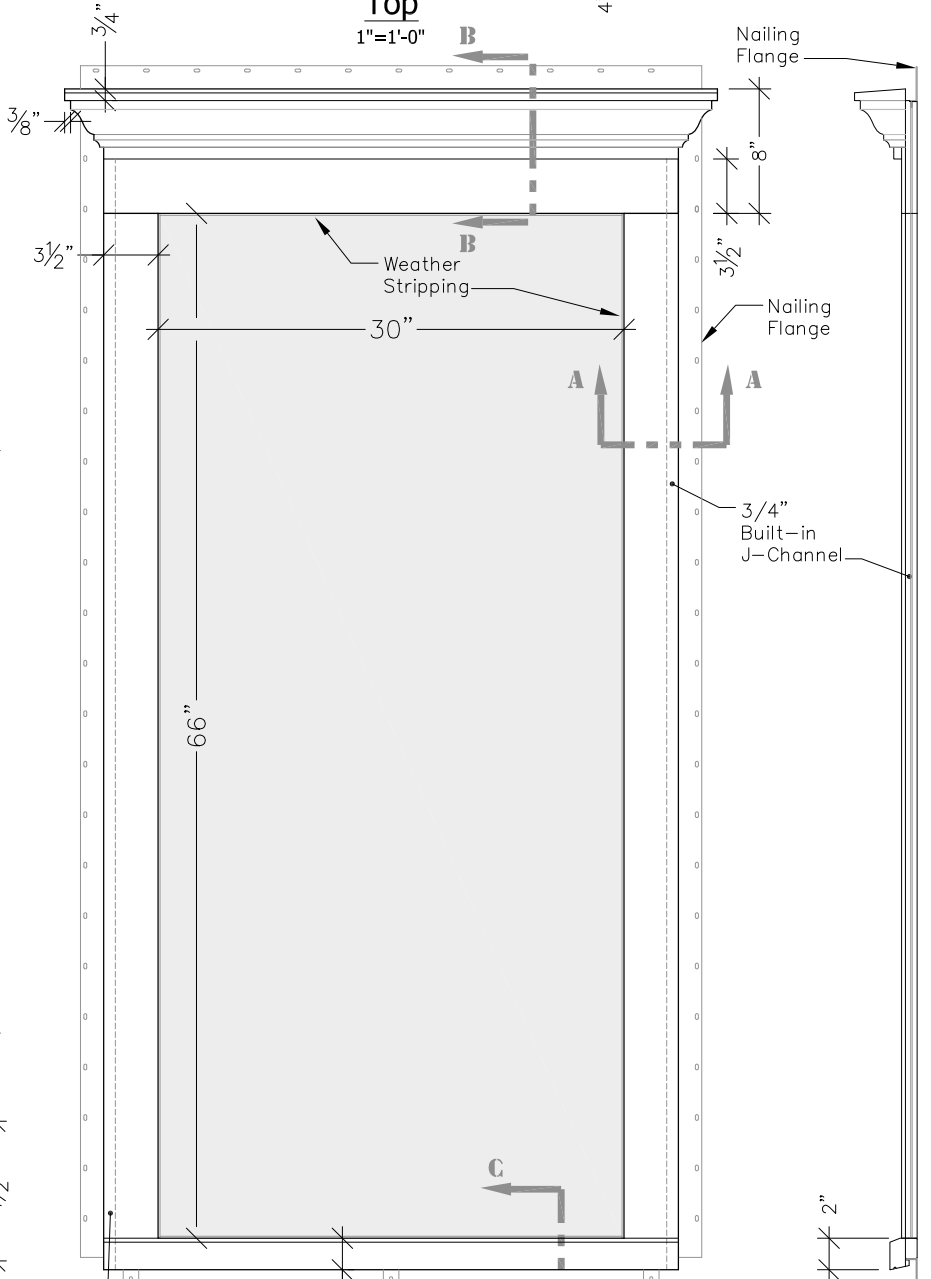
Section B-B
"4 Inch Crown"
6"=1'-0"



Section A-A
6"=1'-0"

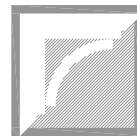


Top
1"=1'-0"



Front
1"=1'-0"

Right
1"=1'-0"



860.758.7900
trimsolutions.net

Trim Solutions, LLC.
132 Main Street, P.O. Box 793
East Windsor, CT 06088

WS-9