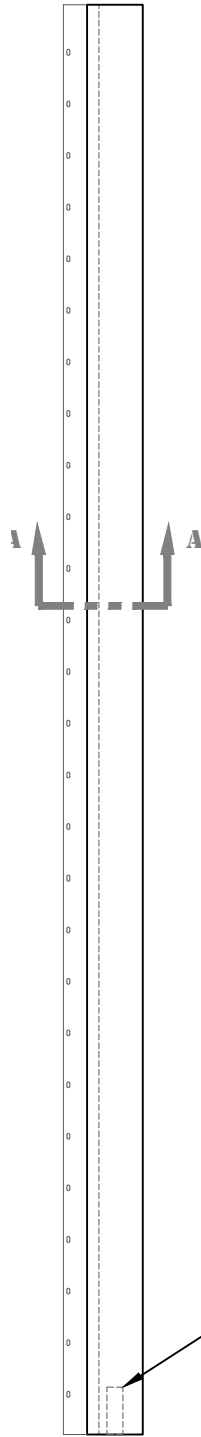
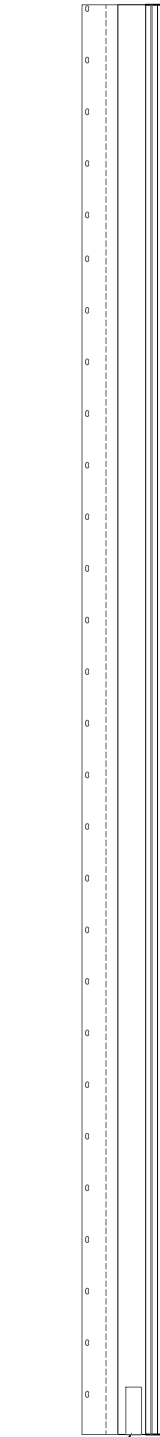


Top
1"=1'-0"

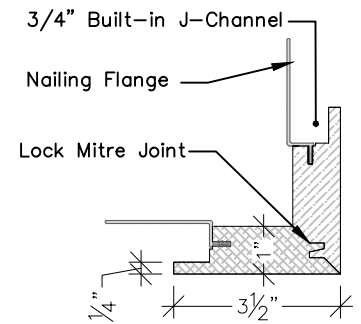
Inside Top
1"=1'-0"



Front
1"=1'-0"



Back
1"=1'-0"



Section A-A
3"=1'-0"

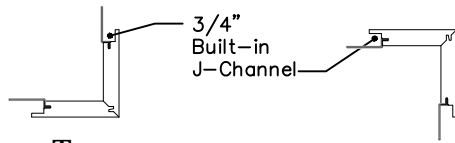
Complete With:
 Stainless Steel Support Brackets
 Water Management System
 Continuous Nailing Flange
 Stainless Steel Screws

**Available in
 10 foot
 and
 20 foot Lengths**



860.758.7900
 trimsolutions.net
Trim Solutions, LLC.
 132 Main Street, P.O. Box 739
 East Windsor, CT 06088

OSC-O
 (QUICKTRIM)

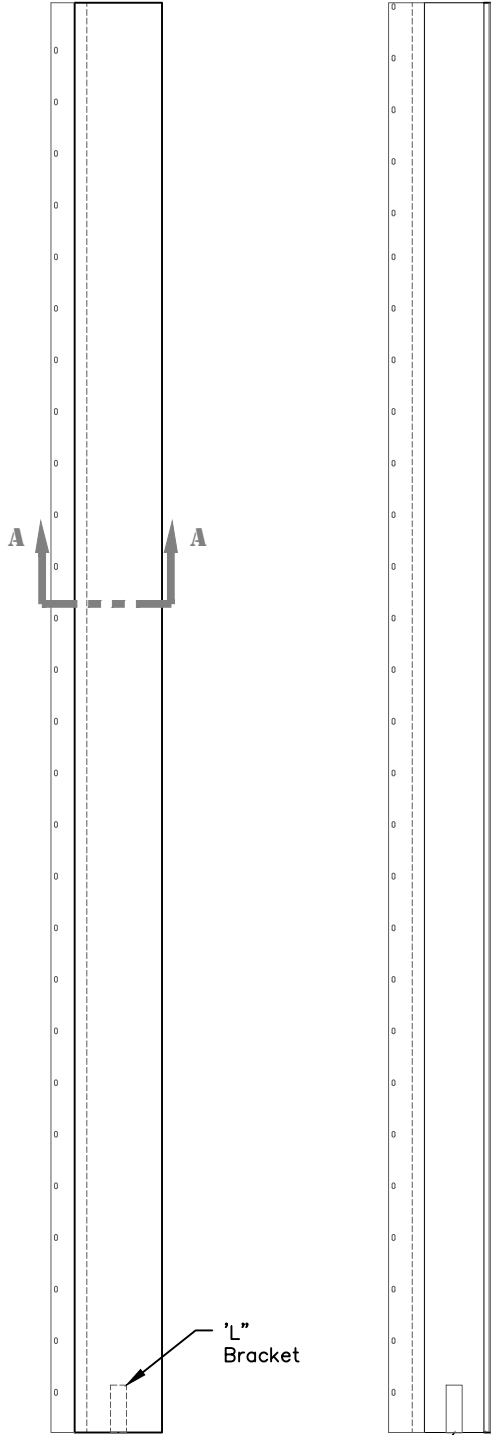


Top

1"=1'-0"

Inside Top

1"=1'-0"

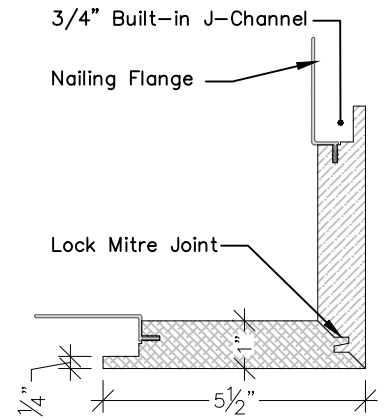


Front

1"=1'-0"

Back

1"=1'-0"



Section A-A

3"=1'-0"

Complete With:
 Stainless Steel Support Brackets
 Water Management System
 Continuous Nailing Flange
 Stainless Steel Screws

**Available in
 10 foot
 and
 20 foot Lengths**

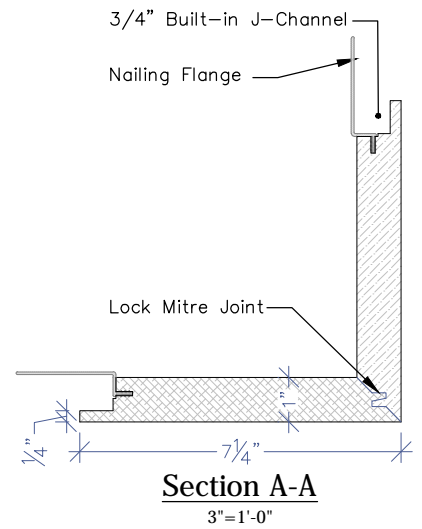
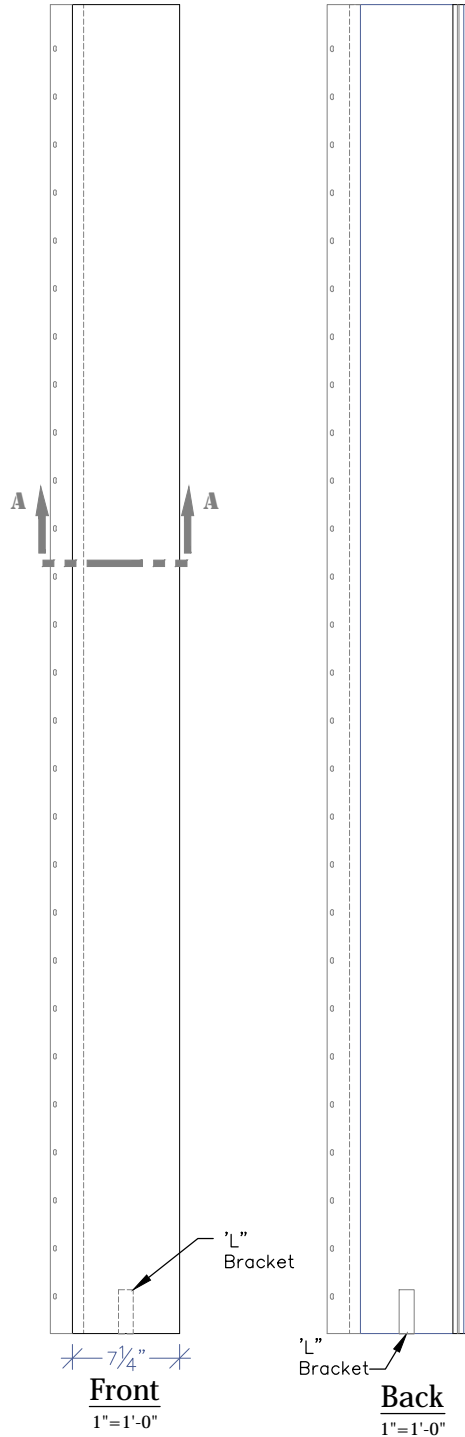
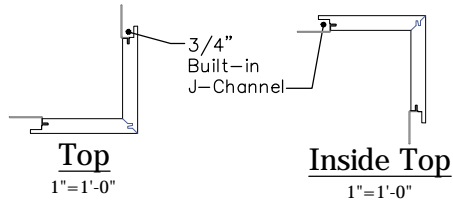


860.758.7900
 trimsolutions.net

Trim Solutions, LLC.
 132 Main Street, P.O. Box 739
 East Windsor, CT 06088


OSC-1

(QUICKTRIM)



**Available in
10 foot
and
20 foot Lengths**

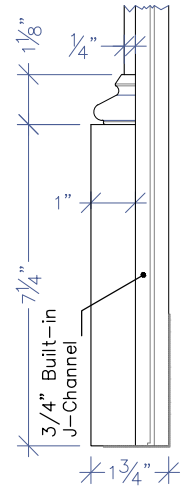
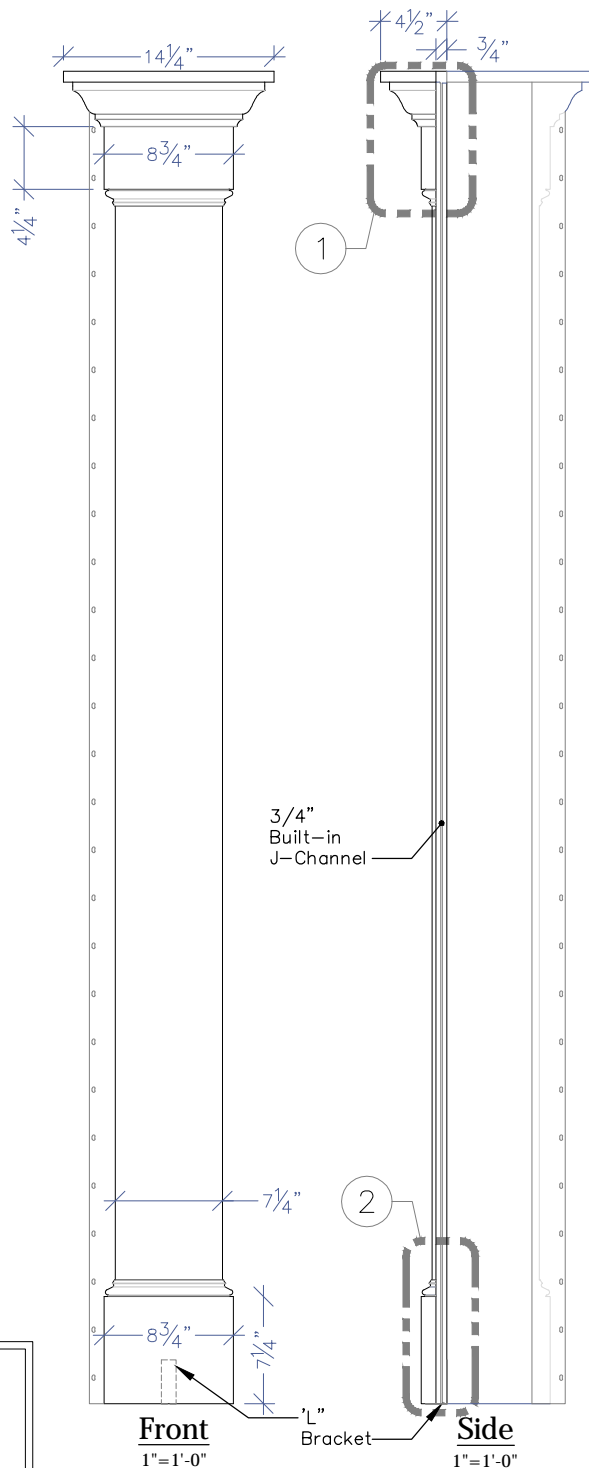
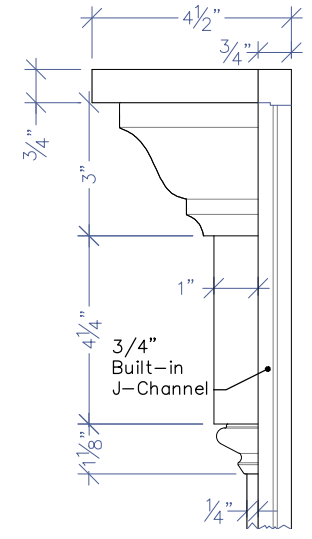
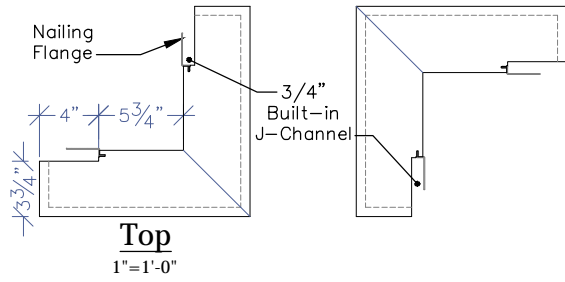
**Complete With:
Stainless Steel Support Brackets
Water Management System
Continuous Nailing Flange
Stainless Steel Screws**



860.758.7900
trimolutions.net

Trim Solutions, LLC.
132 Main Street, P.O. Box 739
East Windsor, CT 06088

OSC-2

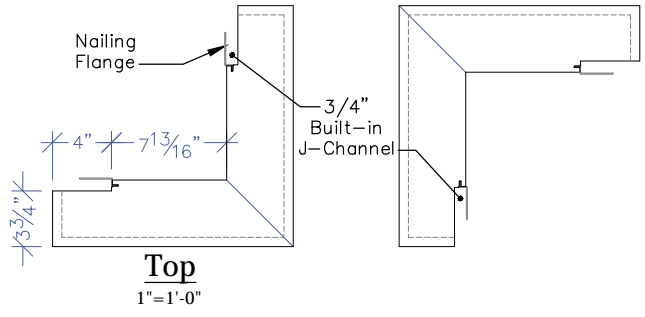


**Available in
10 foot
and
20 foot Lengths**

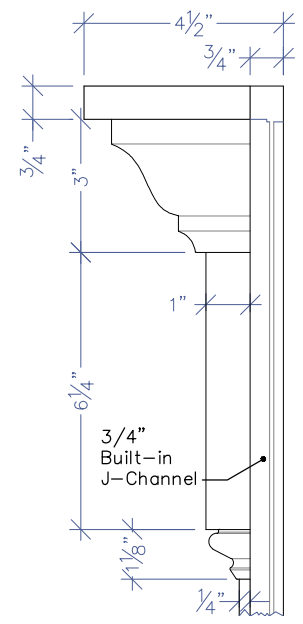
Complete With:
Stainless Steel Support Brackets
Water Management System
Continuous Nailing Flange
Stainless Steel Screws
Trim Solutions Glue

 860.758.7900
trimolutions.net
Trim Solutions, LLC.
132 Main Street, P.O. Box 739
East Windsor, CT 06088

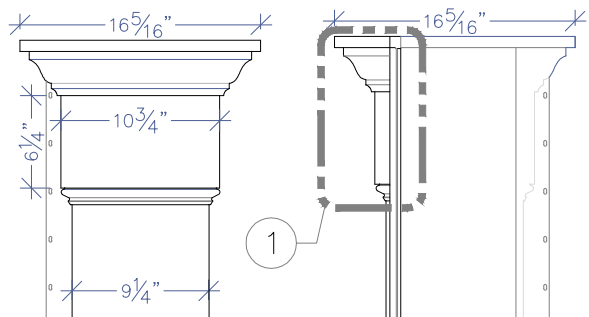
OSC-3



Top
1"=1'-0"

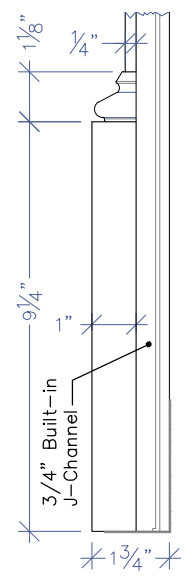


Detail #1
3"=1'-0"



Front
1"=1'-0"

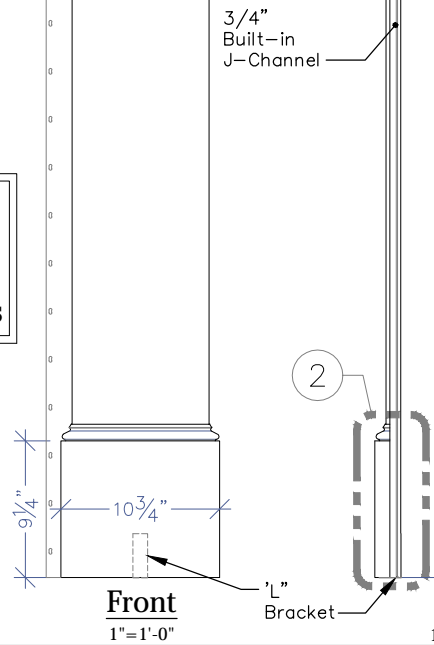
Side
1"=1'-0"



Detail #2
3"=1'-0"

**Available in
10 foot
and
20 foot Lengths**

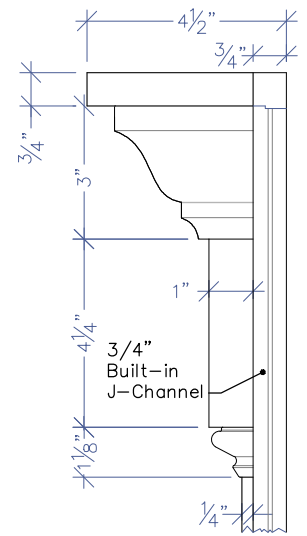
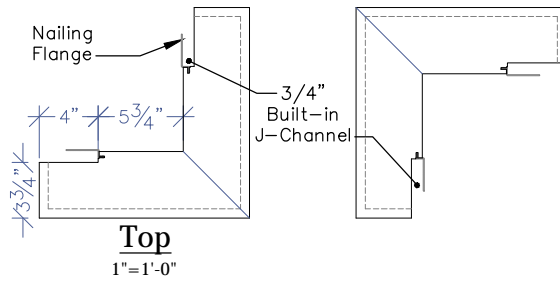
Complete With:
Stainless Steel Support Brackets
Water Management System
Continuous Nailing Flange
Stainless Steel Screws
Trim Solutions Glue



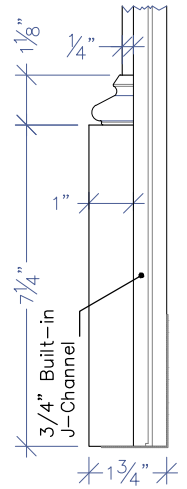
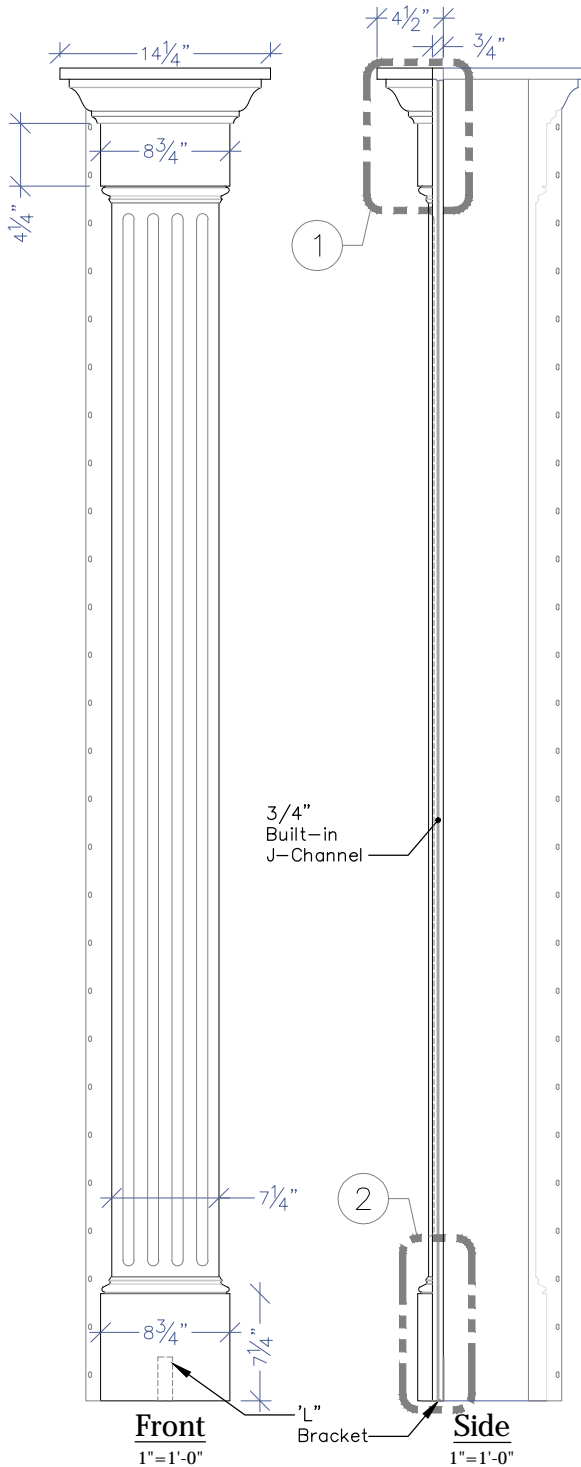
860.758.7900
trimolutions.net

Trim Solutions, LLC.
132 Main Street, P.O. Box 739
East Windsor, CT 06088

OSC-4



Detail #1
3"=1'-0"

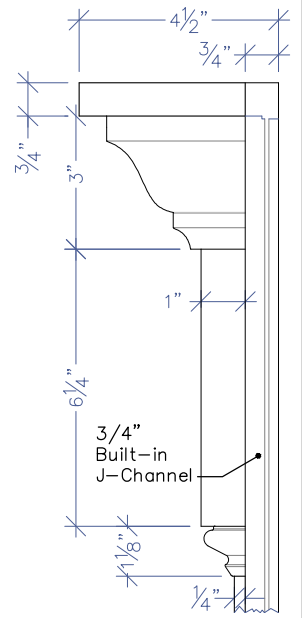
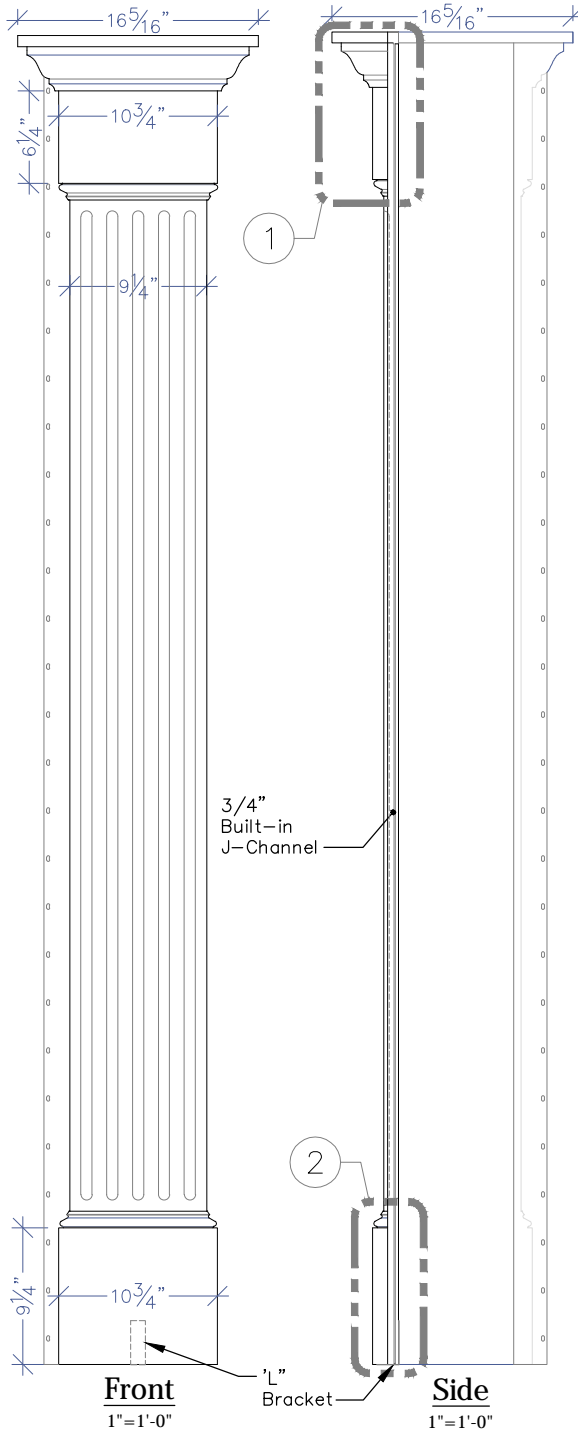
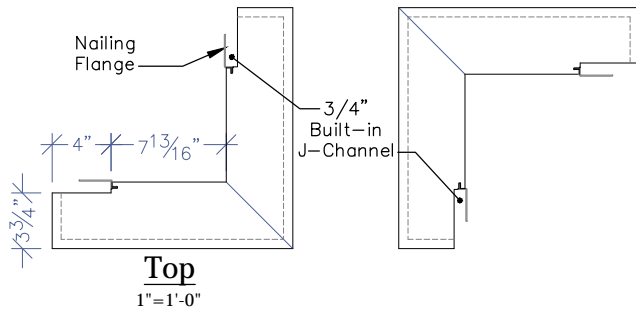


Detail #2
3"=1'-0"

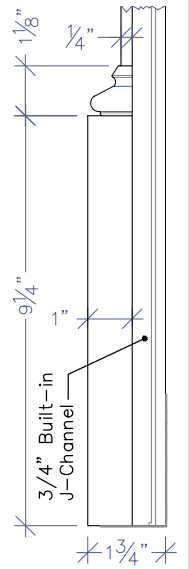
Complete With:
 Stainless Steel Support Brackets
 Water Management System
 Continuous Nailing Flange
 Stainless Steel Screws
 Trim Solutions Glue

860.758.7900
 trimolutions.net
Trim Solutions, LLC.
 132 Main Street, P.O. Box 739
 East Windsor, CT 06088

OSC-5



Detail #1
3"=1'-0"



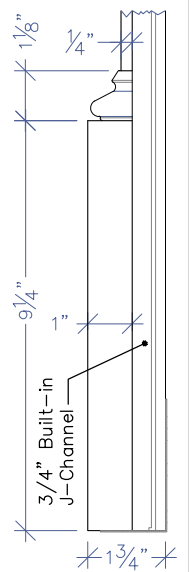
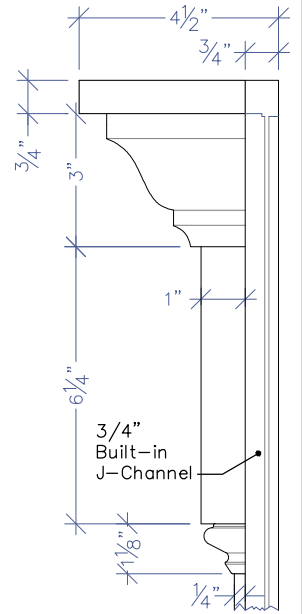
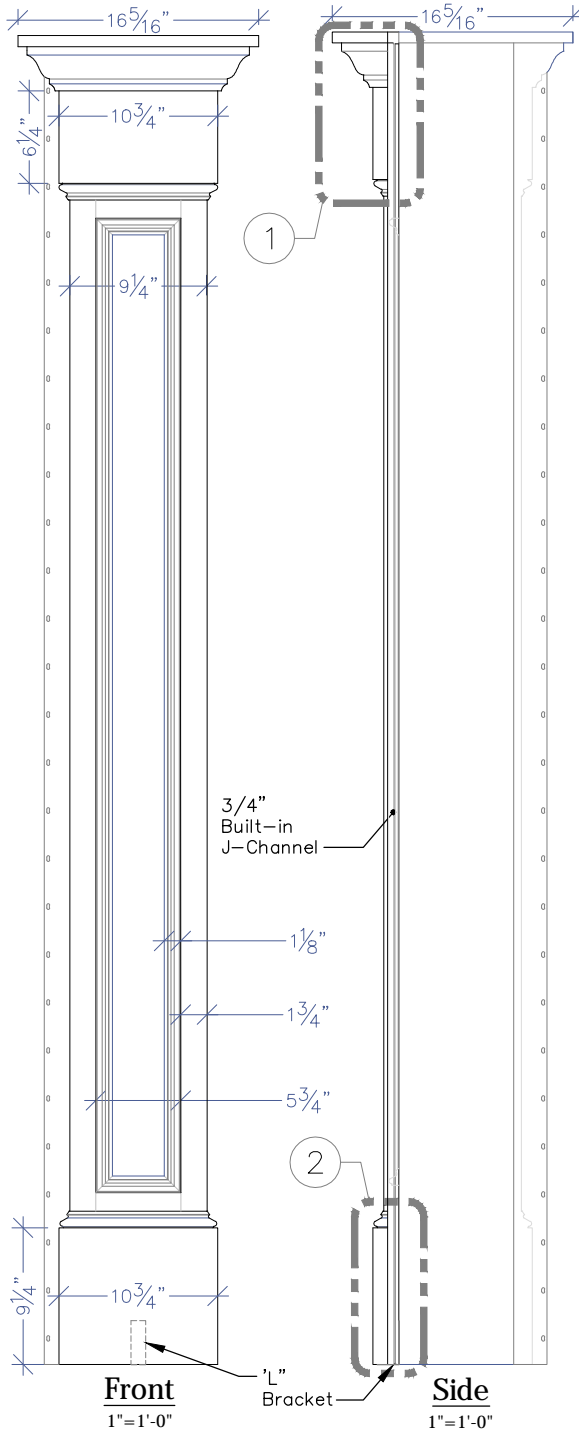
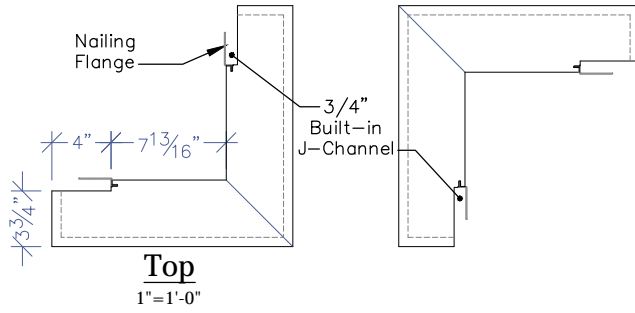
Detail #2
3"=1'-0"

Complete With:
 Stainless Steel Support Brackets
 Water Management System
 Continuous Nailing Flange
 Stainless Steel Screws
 Trim Solutions Glue

860.758.7900
 trimolutions.net

Trim Solutions, LLC.
 132 Main Street, P.O. Box 739
 East Windsor, CT 06088

OSC-6



Complete With:
 Stainless Steel Support Brackets
 Water Management System
 Continuous Nailing Flange
 Stainless Steel Screws
 Trim Solutions Glue

 860.758.7900
 trimolutions.net
 Trim Solutions, LLC.
 132 Main Street, P.O. Box 739
 East Windsor, CT 06088

OSC-7